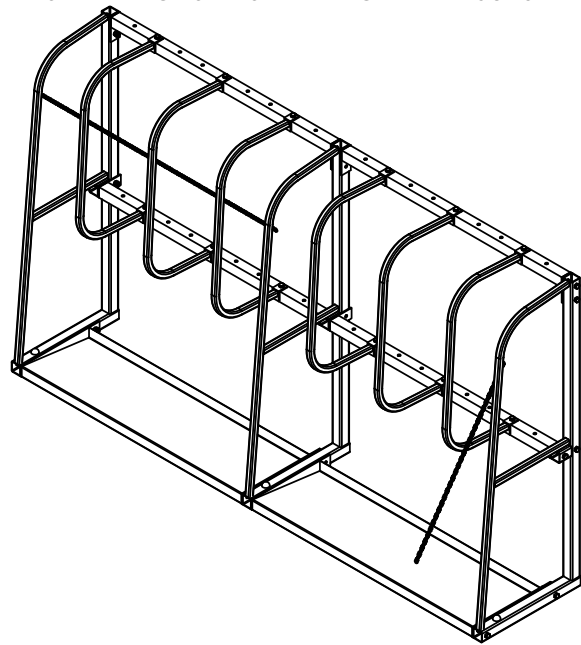
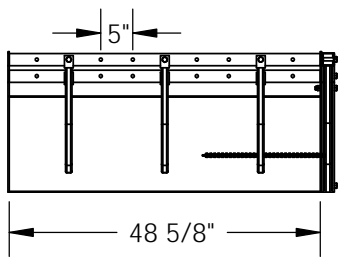


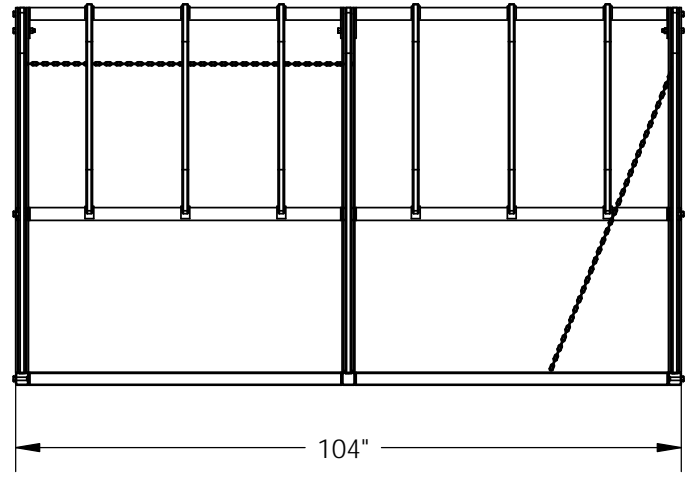
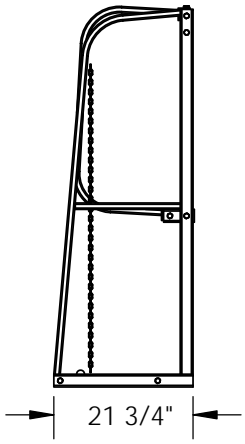
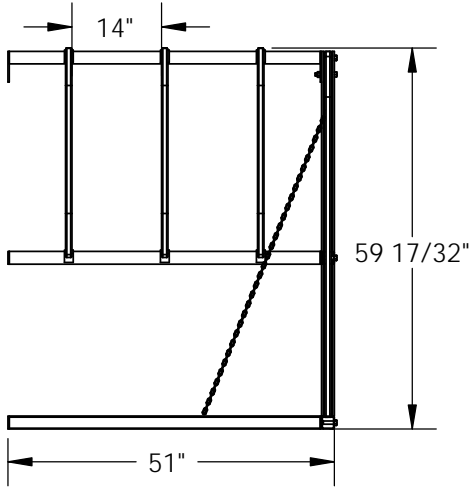
EXPANDABLE VERTICAL BAR RACK (EXTENTION) - EVR-59-EXT

APPROX WEIGHT: 97.12 lbs.
 DOES NOT INCLUDE WEIGHT OF POWER OR PACKAGING!!!

ANY ADDITIONS, DELETIONS, OR OMISSIONS MUST BE CORRECTED ON THIS DRAWING AS THIS DRAWING WILL BE CONSIDERED ALL INCLUSIVE



EXTENSION RACK SHOWN WITH STARTER RACK



DIMENSION TOLERANCE: +/- 1/2"

FOR INTERNAL USE ONLY PROJECT SIGN OFF	
SALES	
ENG.	
FAB.	
POWER	

ALL GRAPHICS PROVIDED ARE FOR REFERENCE ONLY. IF CERTAIN DIMENSIONS ARE CRITICAL PLEASE VERIFY THOSE DIMENSIONS WITH YOUR SALESPERSON

STANDARD FEATURES

- MODEL NUMBER IS EVR-59-EXT
- CAPACITY IS: 4,000 LBS.
- OVERALL WIDTH IS: 51"
- USABLE WIDTH IS: 48 5/8"
- OVERALL LENGTH IS: 21 3/4"
- OVERALL HEIGHT IS: 59 17/32"
- OVERALL WIDTH OF JOINED UNITS IS: 104"
- MULTIPLE UNITS MAY BE JOINED IN-LINE OR BACK-TO-BACK
- 3D VIEW SHOWN WITH EVR-59-S STARTER RACK (NOT INCLUDED)

SPECIAL FEATURES

NONE

APPROVAL	I, THE UNDERSIGNED, AGREE THAT THE PRODUCT AS REPRESENTED SATISFIES DESIGN AND DIMENSION REQUIREMENTS. I ALSO ACKNOWLEDGE MY DUTY TO CONFIRM PRODUCT AND INSTALLATION COMPLIANCE WITH ALL APPLICABLE FEDERAL, STATE AND LOCAL REGULATIONS AND STANDARDS.	
	ALL SPECIAL UNITS ARE NON-RETURNABLE	
	[] As drawn [] As marked	
Signed: _____		Date: _____
LEAD TIME WILL START UPON RECEIPT OF SIGNED APPROVAL DRAWING		

DISTRIBUTOR'S NAME:		P.O.#
VESTIL MANUFACTURING		X
DRAWN BY: TM		W.O.#
DATE: 6/1/09		X
REFERENCE: X	SCALE: 1:30	SALES: X
QUOTED LEAD TIME: X	QUOTE # X	FILE NAME:
		41-007-017